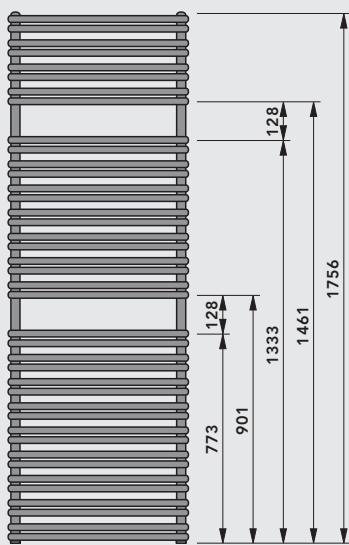
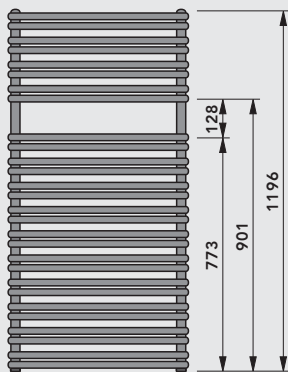
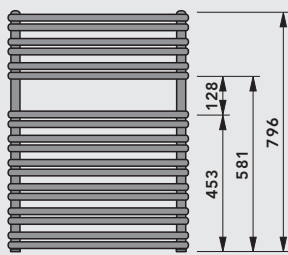


Vertical dimensions [mm]

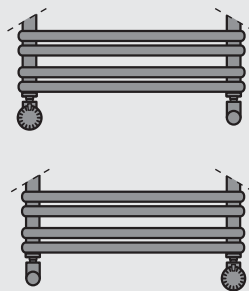


Technical data, product family

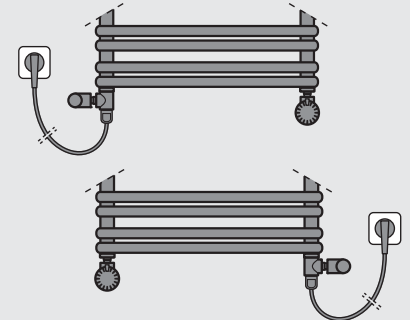
Nominal height (overall height)	Diagram scale M 1:50				Overall length [mm]	Heat output ⁽¹⁾ in Watts 75/65/20 °C	Radiator exponent n	E-heating element power ⁽²⁾ [Watts]
	498	596	742	887				
800 (796)					498	440	1,169	300
					596	528	1,167	300
					742	659	1,165	300
					887	790	1,162	600
1200 (1196)					498	649	1,211	300
					596	778	1,191	600
					742	972	1,162	600
					887	1165	1,133	600
1800 (1756)					498	920	1,221	600
					596	1103	1,197	600
					742	1378	1,161	900
					887	1651	1,124	900

⁽¹⁾ Tested in accordance with ÖNORM EN 442

Connection example without electric heating element



Connection example with electric heating element



Connections
2 x internal thread G 1/2, and
1 x internal thread G 1/4 (for vent plug)
Connection modes
see diagram



Test overpressure
13 bar

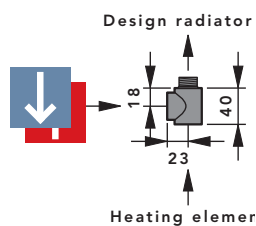


Maximum positive operating pressure
10 bar



Maximum operating temperature
110 °C

A special adapter (chrome-plated) should be used for the electric heating insert with the CAVALLY Design radiator!



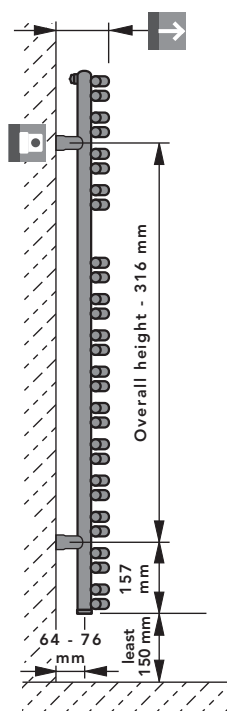
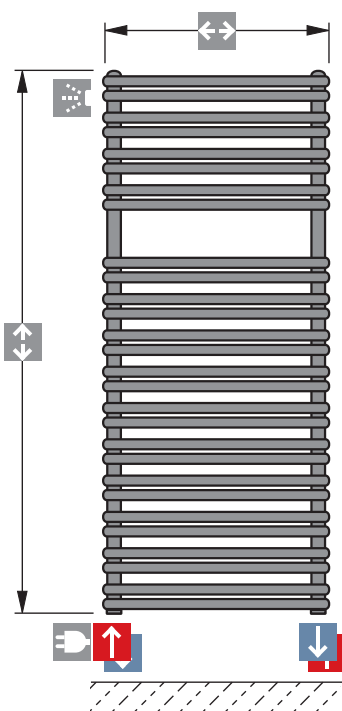
Accessory: PTC electric heating element
CAVALLY radiators fitted with an electric heating element can also be used at times when the regular heating system is switched off. It is **absolutely necessary** to take account of the power-ratings assigned to the electric heating elements.

Basic standard accessories (included):

- a pivotable vent plug, G 1/4, nickel-plated brass, self-sealing
- wall fastening set matching the radiator colour
- fitting aid
- instruction sheet

RAL 9016 Traffic White	Various RAL and metallic colours	Sanitary ware colours
Item no.	Item no.	Item no.
DGRNB0805A	DGRNF0805A	DGRNS0805A
DGRNB0806A	DGRNF0806A	DGRNS0806A
DGRNB0807A	DGRNF0807A	DGRNS0807A
DGRNB0809A	DGRNF0809A	DGRNS0809A
DGRNB1205A	DGRNF1205A	DGRNS1205A
DGRNB1206A	DGRNF1206A	DGRNS1206A
DGRNB1207A	DGRNF1207A	DGRNS1207A
DGRNB1209A	DGRNF1209A	DGRNS1209A
DGRNB1805A	DGRNF1805A	DGRNS1805A
DGRNB1806A	DGRNF1806A	DGRNS1806A
DGRNB1807A	DGRNF1807A	DGRNS1807A
DGRNB1809A	DGRNF1809A	DGRNS1809A

⁽²⁾ At 60 °C



Overall depth (incl. wall clearance)
 for an overall length of 498119-131 mm
 for an overall length of 596128-140 mm
 for an overall length of 742146-158 mm
 for an overall length of 887164-176 mm

Boss spacing
 for an overall length of 498 451 mm
 for an overall length of 596 548 mm
 for an overall length of 742 691 mm
 for an overall length of 887 835 mm

