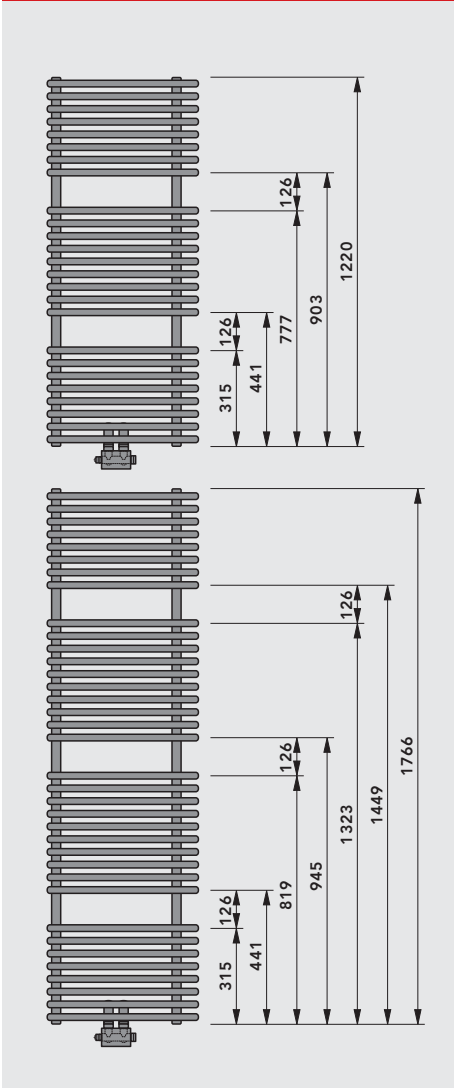


Vertical dimensions [mm]

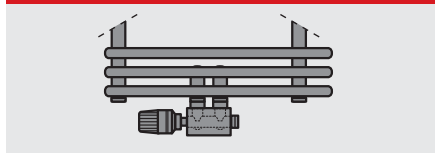


Technical data, product family

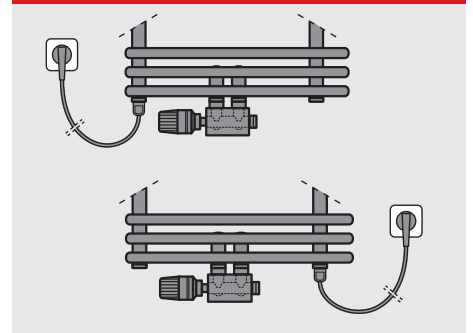
Nominal height (overall height)	Diagram scale M 1:50			Overall length [mm]	Heat output ⁽¹⁾ in Watts 75/65/20 °C	Radiator exponent n	E-heating ele- ment power ⁽²⁾ [Watts]	
	500	600	750				A	B
1200 (1220)				500	620	1,219	300	300
				600	724	1,219	600	300
				750	877	1,219	600	300
1800 (1766)				500	870	1,235	600	300
				600	1021	1,235	600	600
				750	1241	1,235	900	600

⁽¹⁾ Tested in accordance with ÖNORM EN 442

Connection example without electric heating element



Connection example with electric heating element



Connections

2 x external thread G 3/4 (valve connection set) 2 x internal thread G 1/2, and 1 x internal thread G 1/4 (for vent plug)

Connection modes see diagram



Test overpressure

13 bar



Maximum positive operating pressure

10 bar



Maximum operating temperature

110 °C

Accessory: PTC electric heating element

FULDA-VM radiators fitted with an electric heating element can also be used at times when the regular heating system is switched off.

It is **absolutely necessary** to take account of the power-ratings assigned to the electric heating elements.

Basic standard accessories (included):

- a pivotable vent plug, G 1/4, and two dummy plugs, G 1/2, nickel-plated brass, self-sealing, factory-sealed
- a valve connection set with angled two-pipe design
- covering rosette in matching radiator colour
- wall fastening set matching the radiator colour
- fitting aid
- instruction sheet

RAL 9016 Traffic White (See E-heating element output category A)	Various RAL and metallic colours (See E-heating element output category A)	Sanitary ware Colours (See E-heating element output category A)	Chrome-plated (See E-heating element output category B)	Gold-plated (See E-heating element output category B)
Item no.	Item no.	Item no.	Item no.	Item no.
DGEAB1205A	DGEAF1205A	DGEAS1205A	DGEAC1205A	DGEAM1205A
DGEAB1206A	DGEAF1206A	DGEAS1206A	DGEAC1206A	DGEAM1206A
DGEAB1207A	DGEAF1207A	DGEAS1207A	DGEAC1207A	DGEAM1207A
DGEAB1805A	DGEAF1805A	DGEAS1805A	DGEAC1805A	DGEAM1805A
DGEAB1806A	DGEAF1806A	DGEAS1806A	DGEAC1806A	DGEAM1806A
DGEAB1807A	DGEAF1807A	DGEAS1807A	DGEAC1807A	DGEAM1807A

⁽²⁾ At 60 °C

