



Digital room thermostat with infrared transmission.

ref. 56970

Weekly programming of the BOOST

ref. 56970

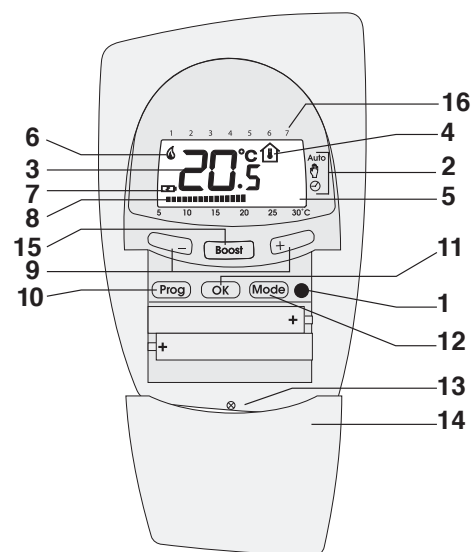


► Presentation

This infrared room thermostat is designed to bring you comfort and economies of energy. It enables you to regulate room temperature depending on the set temperature. The Boost function allows to switch on the heating in a constant way (no thermostat function). Thanks to its 3 prerecorded, easily-modified programs, you can programme 1 or 2 BOOST cycles per day.

- 1 Reset for return to the original configuration.
- 2 Display of operating mode (auto, manu, time-setting).
- 3 Display of temperature.
- 4 Room temperature symbol.
- 5 Large multifunction display.
- 6 Indicator that the heating is on.
- 7 Batteries low indicator.

- 8 Bar graph showing the level of the set temperature.
- 9 + and – buttons for the various settings.
- 10 **PROG** button for access to the 3 pre-recorded programs.
- 11 **OK** button for confirmation of the various settings.
- 12 **MODE** button to enter the various operating modes.
- 13 Screw enabling the wall bracket to be separated from the thermostat.
- 14 Battery access trap.
- 15 **Boost** button: constant (no thermostat function).
- 16 Day of the week.



► Installation

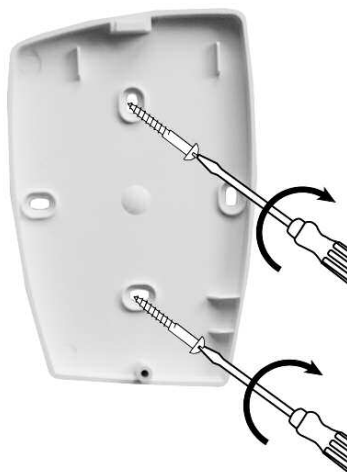
Install the transmitter and receiver in the same room. The room thermostat must be installed at about 1,5 metres from the floor, on an inside wall, protected from splashing with water, direct sunlight, and all thermal interference such as lamps, television set, heating pipe, draughts etc. You can fix the room thermostat either on a flush-fitting box or directly surface-mounted.

- Lower the battery access trap (14).
- Open the product by unscrewing the screw (13).
- Fix the bracket to the wall or on a flush-fitting box with 2 screws.
- Close the product by tightening the screw (13).
- Close the battery access trap (14).

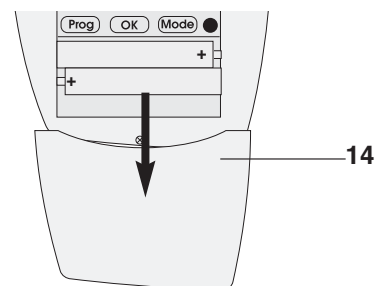
Note:

To ensure perfect infrared transmission:

- do not obstruct the transmission and reception cells (bathrobe or towel in front of the cell).
- Avoid lighting by electronic integrated ballast lamp in the same room.



► Putting in the batteries



Your thermostat is equipped with a batteries low indicator. As soon as it appears, please proceed to replace the batteries (use only 2 LR03 1.5V alkaline batteries).

- Lower the battery access trap (14).
- Insert 2 LR03 1.5V batteries as shown in the diagram in the bottom of the product ensuring correct polarity.
- Close the battery access trap (14).

You have one minute to change batteries. Beyond this time, the desired temperature and programs must be adjust again.


- **All first press on the key board activate the thermostat, the light comes on and only after that you can have access to the product functions.**

Setting current time and day

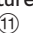
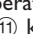
When putting into service or after a reset: the indication **12:00** flashes.

- Using **+** or **-** keys, set the current time (maintain key down for a longer time to make minutes scroll faster).
- Press **OK** to confirm.
- The cursor **▲** flashes under the day **1** (monday), using **+** or **-** keys, set the current day.
- Press **OK** to confirm.

To change the time and day setting:

- By repeated pressures on the **MODE** button, position the cursor **▲** in front of .
- Repeat previous operations.

! Time display stops flickering and is automatically updated in 30 seconds if no validation by **OK** key occurs.

- To display the time instead of the ambient temperature you can press during 3 seconds the **OK**  key at any time. To display the ambient temperature instead of time you must press the **OK**  key during 3 second again.

Adjusting the set temperature

The set temperature is adjustable from +5 to +30°C in steps of 0.5°C.

The value 20°C is prerecorded.


- The **+** and **-** buttons enable you to adjust the set temperature easily (a long pressure allows rapid scrolling).

During adjustment, the screen displays the set temperature. Return to display of room temperature happens automatically after 5 seconds.

The set temperature is permanently displayed on the bar graph.

In **AUTO** mode, press the **+** or **-** key to change the setpoint. The change is temporary (the last segment of the bar graph blinks).

At the next program step, the thermostat will respond to the usual setpoint.


- In **MANU** mode , press the **+** or **-** key to change the setpoint. The change is permanent.

Launch of a single BOOST cycle

The Boost function allows a constant running of the heating system. The length of the cycle is adjustable from 5 minutes to 5 hours (the factory-set length is 1 1/2 hours). If you change the length during the minute following activation of the **BOOST** cycle, it will be saved for the next time.

- To request a **BOOST** cycle manually.

At any time, in **AUTO** or **MANU** mode you can start a **BOOST** cycle (constant: no thermostat function).

- Press the  button for more than 3 seconds. The length of the cycle is displayed. Use the **+** and **-** buttons to adjust the desired length (between 5 minutes and 5 hours). The **BOOST** is started.

Important: a long pressure on the **+** and **-** keys allows rapid scrolling of the minutes then of the hours.

The display counts down the remaining length of the **BOOST** cycle.

At the end of the cycle your thermostat returns to its set operation.

- To change the length of the **BOOST** cycle.

At any time during the cycle, pressing the **+** or **-** buttons enables you to adjust the length of the cycle.

- To stop a **BOOST** cycle.

At any time during the cycle pressing the **BOOST** button enables you to interrupt the cycle and to return to set operation (auto or manu).

Programming of BOOST cycles (weekly cycles)

To make programming easier, your thermostat possesses 3 prerecorded programs which can be modified.

! You have the possibility to program each day individually, or as a 7-day group, or as a 5-day group (Monday to Friday) and a 2-day group (Saturday and Sunday).

When putting into service or after a reset, the program **P1** is active. If it suits your way of life, stay in **AUTO** mode, it will be repeated automatically every day.

- The pre-recorded programs are:

P1 = Boost from 6 A.M. to 8 A.M.

P2 = Boost from 5:30 to 7:30 P.M.

P3 = Boost from 6 A.M. to 8 A.M. then from 5:30 to 7:30 P.M.

To program your thermostat

In **AUTO** mode, press the Prog key, **P1** is displayed, and the cursor **▲** blinks under day **1**.

- Using the **+** key, individually select a day of the week (1 = Monday, 2 = Tuesday... 7 = Sunday) or a group of days; the cursor blinks under the day or group of days selected.
- Confirm by pressing the **OK** key, **P1** blinks.
- Using the **+** or **-** key, select the program to apply according to your way of life.
- Confirm by pressing the **OK** key.
- The start time for the **BOOST** is displayed (you can modify this using the **+** or **-** key).
- Confirm by pressing the **OK** key.
- If you wish to change the cycle duration, press the **+** or **-** key.
- To confirm your adjustments, press the **OK** key. To modify another program, repeat the operations above.

AUTO mode/MANU mode

In **AUTO** mode your thermostat carries out the defined program; it regulates the room temperature depending on the set temperature, and at the defined times moves into the **BOOST** function.

In **MANU** mode your thermostat takes no account of the programming, it regulates the room temperature depending on the set temperature. There is no repetitive Boost cycle.

To select the **AUTO** or **MANU** operating mode, press **MODE** and position the cursor under the selected mode.

Technical characteristics

Supply:	2 alkaline batteries type LR03
	1,5V provided (lifetime 12 months)
Range of setting of the set temperature:	from +5°C to +30°C
Range of setting of length of BOOST :	from 5 minutes to 5 hours
Range of display of room temperature:	0°C to +40°C
Transmission of orders:	every 10 minutes
Static differential:	< 0.3K
Regulation mode on-off	
Transmission distance:	approx. 10 m, in all directions and 15 m in line-of-sight
Dimensions:	120 x 80 x 35 mm
Operating temperature:	-10°C to +50°C
Storage temperature:	-20°C to +60°C
Hygrometry:	90% max. at +25°C
Insulation class:	III
IP:	31
IK:	03



Infrared receiver

ref. 56970

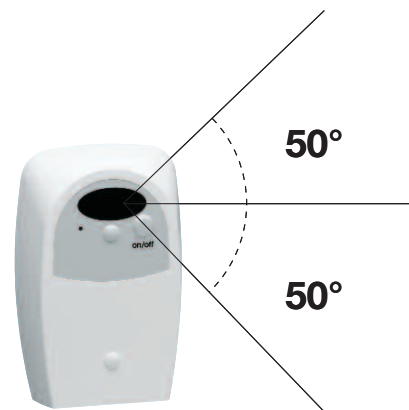


Wall mounted infrared receiver suitable for design heaters and for bathrooms.



Product description

- ① on/off button
- ② Light indicator
- ③ Reception cell



Status of indicator	State	Comment
Off	The receiver is Off.	Make a long press on button a to switch On the receiver.
Green	Receiver's operation is normal. The heating is off.	A long press on button a allows to turn the receiver off.
Red	Receiver's operation is normal. The receiver is On.	
Green light is flickering	The receiver has not been receiving any information from the thermostat during the past hour, so the output is commutated to OFF	Check the transmitter's batteries. Check there are no obstacles between the receiver and the transmitter.

Installation

Caution: the installation and the starting up of your infrared kit must be done by an authorized professional.

The corresponding standards or the national electrotechnical safety dispositions must be implemented. **The installation restrictions in bathrooms must be respected.**

- Puncture sealing membranes using the tip of a screwdriver, and making a hole smaller than the wire's diameter.
- Fix the receiver in projecting mounting or onto the built-in box using screws of 3 or 3,5 mm (centre-to-centre distance = 60 mm)
- Pull the wires through the membrane without widening the hole in order to ensure a tight sealing.

- The wires introduced on the lower part of the receiver must be consolidated by the cables fixing system.
- Connect the receiver to the power supply and the heating system according to the electric connection plan.
- Fix the cover with the 2 screws. Press the 2 screw covers (white and grey) when screws are untightened.

To ensure the transmission:

- Do not clog the transmitting/receiving LED.
- Avoid direct sunlight on the transmitter/receiver.
- Avoid lighting through fluorescent lamps with integrated electronic ballast in the same room.

Technical specifications

Power supply: 230 VAC \pm 10%
 Frequency: 50 Hz
 Power consumption: < 5VA
 Output: 1 switch contact (not voltage free)
 Switching capacity: resistive load: 16 A max
 inductive load: 2000W
 Maximum length of transmission:
 10 m approx in all directions
 15 m approx in direct target
 Connection by screw terminals:
 rigid wires I to 4 mm²
 flexible wires 0,75 to 2,5 mm²
 Dimensions: 120 x 80 x 35 mm
 Operating temperature: -10 to +40°C
 Storage temperature: -20°C to +60°C
 Humidity range: 90% max at 20°C
 Insulation class II
 IP24, IK04, EN60730

► Electrical connection

