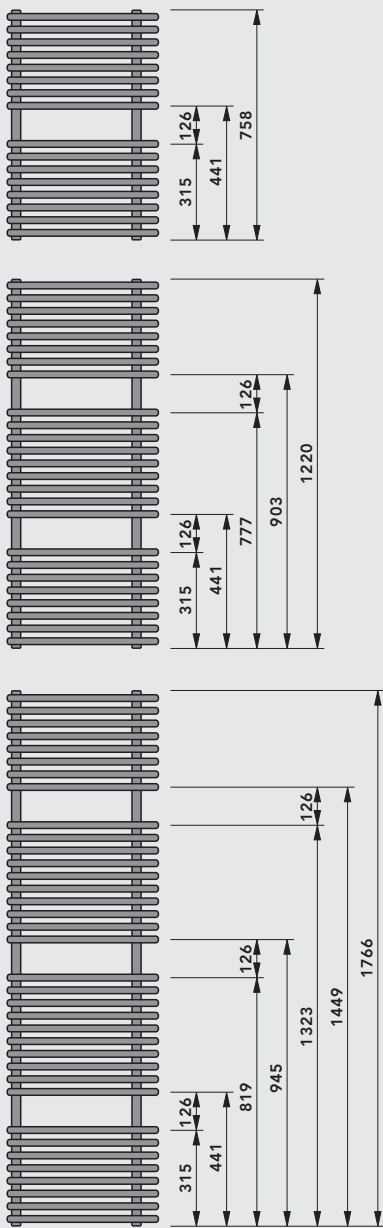


Vertical dimensions [mm]

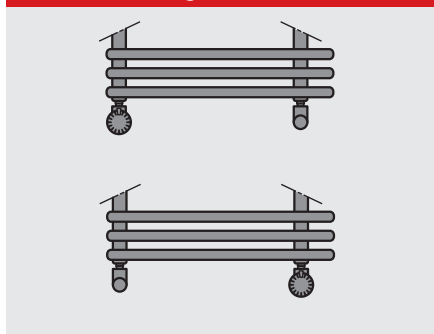


Technical data, product family

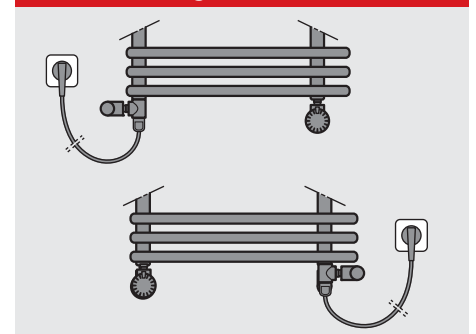
Nominal height (overall height)	Diagram scale M 1:50				Overall length [mm]	Heat output ⁽¹⁾ in Watts 75/65/20 °C	Radiator exponent n	E-heating ele- ment power ⁽²⁾ [Watts]	
	500	600	750	900				A	B
800 (758)					500	405	1,204	300	-
					600	474	1,204	300	300
					750	574	1,204	300	300
					900	671	1,204	300	300
1200 (1220)					500	620	1,219	300	300
					600	724	1,219	600	300
					750	877	1,219	600	300
					900	1025	1,219	600	600
1800 (1766)					500	870	1,235	600	300
					600	1021	1,235	600	600
					750	1241	1,235	900	600
					900	1456	1,235	900	900

⁽¹⁾ Tested in accordance with ÖNORM EN 442

Connection example without electric heating element



Connection example with electric heating element



Connections

2 x internal thread G 1/2, and
1 x internal thread G 1/4 (for vent plug)

Connection modes

see diagram



Test overpressure

13 bar



Maximum positive operating pressure

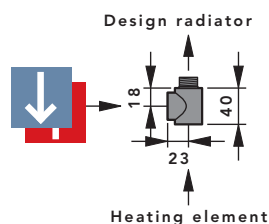
10 bar



Maximum operating temperature

110 °C

A special adapter (chrome-plated) should be used for the electric heating insert with the FULDA Design radiator!



Accessory: PTC electric heating element

FULDA radiators fitted with an electric heating element can also be used at times when the regular heating system is switched off.

It is **absolutely necessary** to take account of the power-ratings assigned to the electric heating elements.

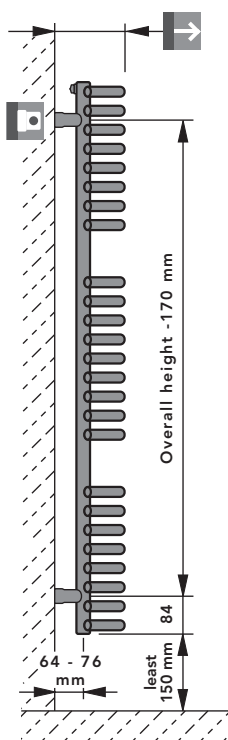
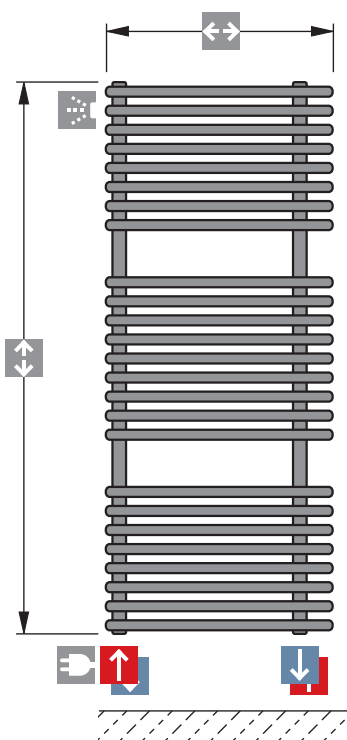
Basic standard accessories (included):

- a pivotable vent plug, G 1/4, nickel-plated brass, self-sealing
- wall fastening set matching the radiator colour
- fitting aid
- instruction sheet

RAL 9016 Traffic White (See E-heating element output category A)	Various RAL and metallic colours (See E-heating element output category A)	Sanitary ware Colours (See E-heating element output category A)	Chrome-plated ⁽³⁾ (See E-heating element output category B)	Gold-plated ⁽³⁾ (See E-heating element output category B)
Item no.	Item no.	Item no.	Item no.	Item no.
DGENB0805A	DGENF0805A	DGENS0805A	DGENC0805A	DGENM0805A
DGENB0806A	DGENF0806A	DGENS0806A	DGENC0806A	DGENM0806A
DGENB0807A	DGENF0807A	DGENS0807A	DGENC0807A	DGENM0807A
DGENB0809A	DGENF0809A	DGENS0809A		
DGENB1205A	DGENF1205A	DGENS1205A	DGENC1205A	DGENM1205A
DGENB1206A	DGENF1206A	DGENS1206A	DGENC1206A	DGENM1206A
DGENB1207A	DGENF1207A	DGENS1207A	DGENC1207A	DGENM1207A
DGENB1209A	DGENF1209A	DGENS1209A		
DGENB1805A	DGENF1805A	DGENS1805A	DGENC1805A	DGENM1805A
DGENB1806A	DGENF1806A	DGENS1806A	DGENC1806A	DGENM1806A
DGENB1807A	DGENF1807A	DGENS1807A	DGENC1807A	DGENM1807A
DGENB1809A	DGENF1809A	DGENS1809A		

⁽²⁾ At 60 °C

⁽³⁾ Available to a maximum overall length of 750 mm



➔	Overall depth (incl. wall clearance)	for an overall length of 500	146–158 mm
		for an overall length of 600	155–167 mm
		for an overall length of 750	171–183 mm
		for an overall length of 900	180–192 mm
↔	Boss spacing	for an overall length of 500	400 mm
		for an overall length of 600	495 mm
		for an overall length of 750	645 mm
		for an overall length of 900	795 mm

