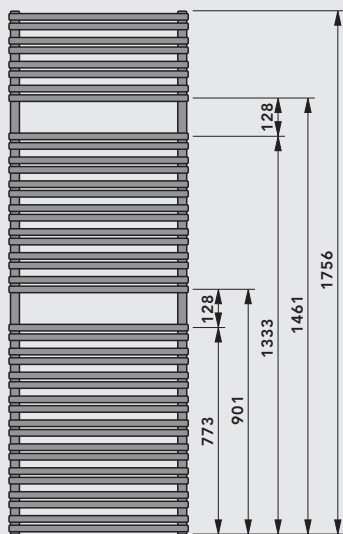
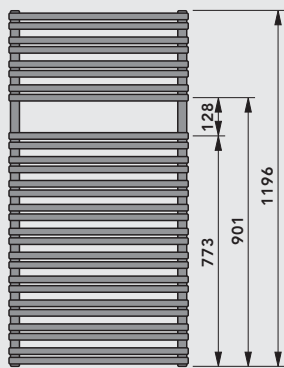
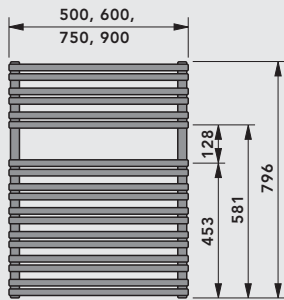


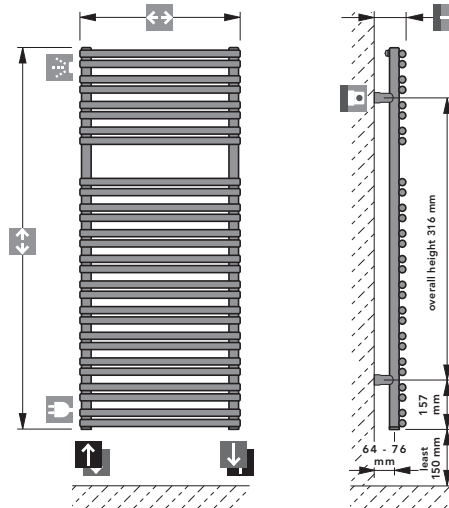
## Dimensions [mm]



## BAWA

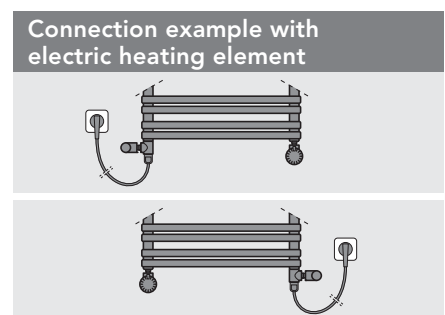
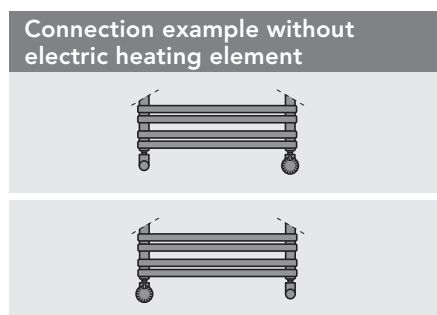
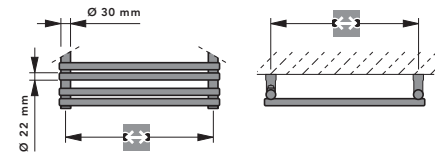
Nominal height (Overall height) [mm]	Overall length [mm]	Heat output <sup>(1)</sup> in Watts					Radiator exponent n	E-heat element Output <sup>(2)</sup> Watt	Weight kg	Water content l
		75/65/20 °C	70/55/20 °C	70/55/24 °C	55/45/20 °C	55/45/24 °C				
800 (796)	500	420	340	299	225	187	1,1888	300	7,7	3,6
	600	493	401	353	265	221	1,1897	300	8,8	4,1
	750	600	491	432	324	271	1,1911	300	10,5	4,9
	900	704	580	510	383	320	1,1924	300	12,1	5,7
1200 (1196)	500	629	531	466	348	290	1,2010	300	11,8	5,4
	600	738	617	541	404	336	1,2012	600	13,5	6,3
	750	898	740	649	485	403	1,2014	600	16,1	7,7
	900	1053	859	753	563	468	1,2017	600	18,6	9,0
1800 (1756)	500	885	717	626	464	384	1,2605	600	16,9	8,1
	600	1038	846	739	548	453	1,2546	600	19,4	9,3
	750	1263	1036	905	671	555	1,2458	900	23,0	11,0
	900	1482	1222	1068	791	654	1,2370	900	26,7	12,7

<sup>(1)</sup> Tested in accordance with ÖNORM EN 442 <sup>(2)</sup> at 60° C



**Overall depth (incl. wall clearance)**  
 for an overall length of 500 .... 97 - 109 mm  
 for an overall length of 600 .... 97 - 109 mm  
 for an overall length of 750 .... 97 - 109 mm  
 for an overall length of 900 .... 97 - 109 mm

**Boss spacing**  
 Overall length - 40 mm



ARUN-T  
BAWA

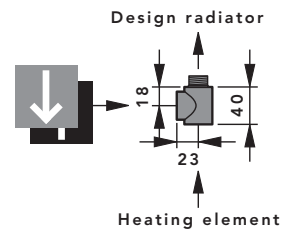
**Connections**  
 2 x G 1/2 Internal thread and  
 1 x G 1/4 Internal thread (for vent plug)  
**Connection modes**  
 see diagram

**Test overpressure**  
 13 bar

**Maximum positive operating pressure**  
 10 bar max.

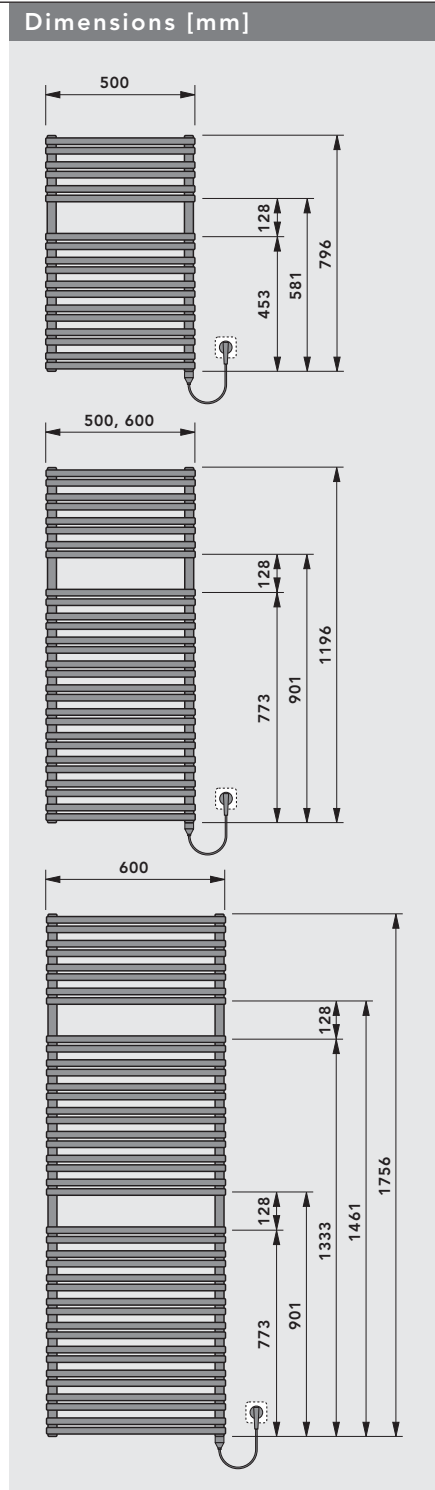
**Maximum operating temperature**  
 110 °C

A special adapter (chrome-plated) should be used for the electric heating insert with the BAWA Design radiator!



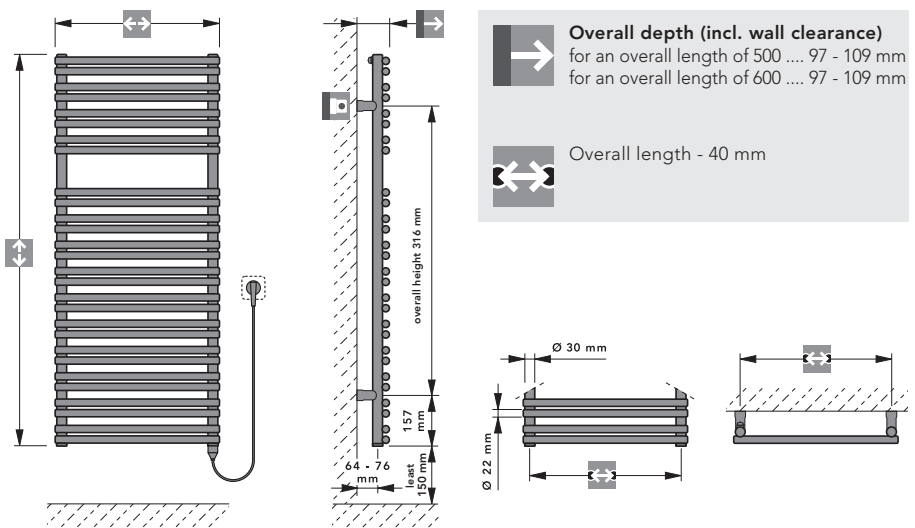
**Accessory: PTC electric heating element**  
 All BAWA design radiators fitted with an electric heating element can also be used when the regular heating system is switched off. It is essential to take into account the power ratings assigned to the electric heating elements.

- Standard basic configuration**
- A pivotable vent plug, G 1/4, nickel-plated brass, self-sealing
  - A wall mounting set matching the radiator colour
  - Fitting aid
  - Instruction sheet



BAWA electric only operation					
Nominal height (Overall height) [mm]	Overall length [mm]	Nominal power <sup>(2)</sup> Watt	Nominal voltage [V]	Protection mode	Weight kg
800 (796)	500	300	AC 230	IP 24	11,3
1200 (1196)	500 600	400 600	AC 230 AC 230	IP 24 IP 24	17,1 19,7
1800 (1756)	600	900	AC 230	IP 24	28,5

<sup>(2)</sup> at 60° C



**Description**

With their built-in electric heating, the electric radiators of the BAWA-E family are elegant Design and bathroom radiators.

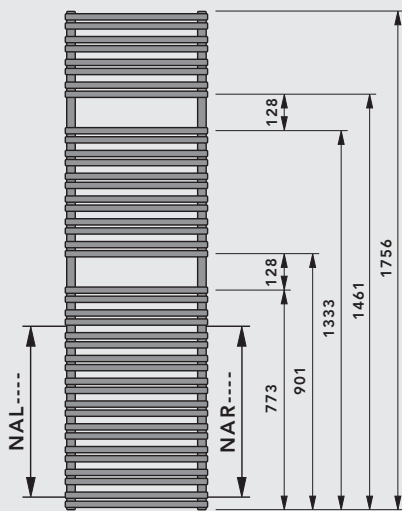
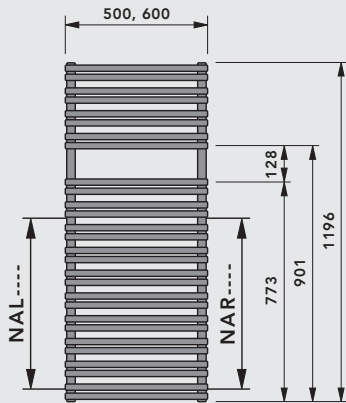
**Self-regulation effect** – the temperature-dependent PTC heating element automatically controls the temperature of the heat-transfer liquid by modifying its electrical resistance.

**Standard basic configuration:**

- A wall mounting set matching the radiator colour
- Fitting aid
- Instruction sheet



## Connection modes [mm]



### Connection on the left-hand side NAL

NAL0500, NAL0446  
NAL0900, NAL0546  
NAL1000, NAL0846  
NAL0946  
NAL0560  
NAL0960

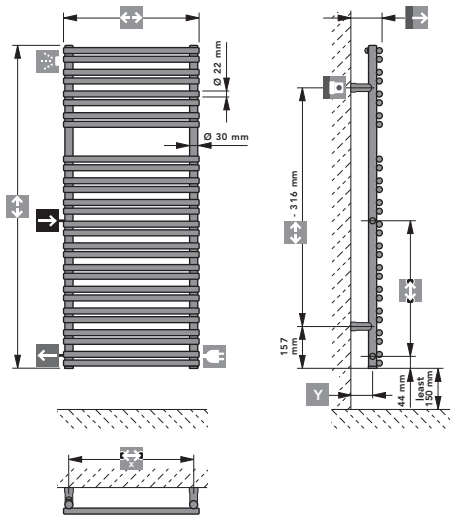
### Connection on the right-hand side NAR

NAR0500, NAR0446  
NAR0900, NAR0546  
NAR1000, NAR0846  
NAR0946  
NAR0560  
NAR0960

## BAWA Replacement radiators

Nominal height (Overall height) [mm]	Overall length [mm]	Heat output <sup>(1)</sup> in Watts					Radiator exponent n	E-heat element Output <sup>(2)</sup> Watt	Weight kg	Water content l
		75/65/20 °C	70/55/20 °C	70/55/24 °C	55/45/20 °C	55/45/24 °C				
1200 (1196)	500	629	531	466	348	290	1,2010	300	11,8	5,4
	600	738	617	541	404	336	1,2012	600	13,5	6,3
1800 (1756)	500	885	717	626	464	384	1,2605	600	16,9	8,1
	600	1038	846	739	548	453	1,2546	600	19,4	9,3

<sup>(1)</sup> (1) Tested in accordance with ÖNORM EN 442  
<sup>(2)</sup> at 60 °C



Overall length -90 mm



### Connection dimensions

without distance holders... 64 - 76  
with 1 distance holder set... 76 - 88  
with 2 distance holder sets... 88 - 100  
with 3 distance holder sets... 100 - 112



### Overall depth (incl. wall clearance)

without distance holders... 97 - 109  
with 1 distance holder set... 109 - 121  
with 2 distance holder sets... 121 - 133  
with 3 distance holder sets... 133 - 145



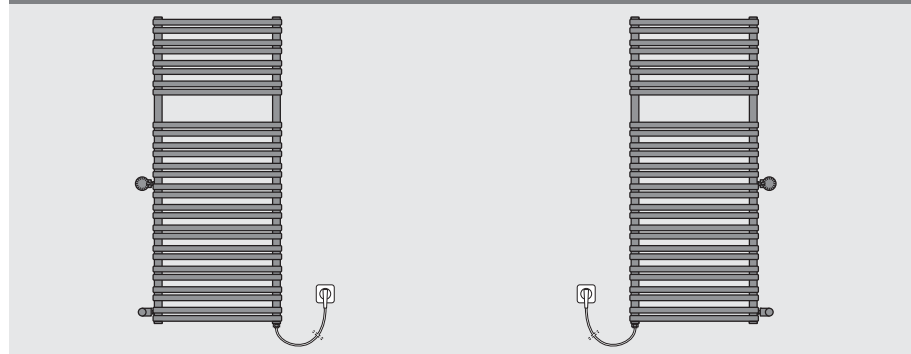
### Boss spacing

500, 900, 1000,  
446, 546, 846, 946, 560 and 960 mm  
Other centre distances upon request.

BAWA  
electric only  
operation

BAWA  
replacement

## Connection examples using an electronic heating element



### Standard basic configuration:

- A pivotable vent plug, G 1/4, nickel-plated brass, self-sealing and 2 dummy plugs, G 1/2
- A wall mounting set matching the radiator colour
- Fitting aid
- Instruction sheet