

Trend-setters with stylish features

With cutting-edge towel warmers and design radiators, **VOGEL&NOOT** is the obvious choice for high quality, individual heating system design: the combination of the very latest concepts with innovative heat emission technology means that products from **VOGEL&NOOT** provide high-calibre solutions to satisfy even the most discerning aesthetic requirements. Intuitive operation and practical functions have always been a feature of the all-encompassing design you have come to expect from **VOGEL&NOOT**. A hint of luxury adds an exciting touch in your home, while concentrated heat emission from functional radiators in the bathroom form an essential component that provides a multitude of benefits. Why not let yourself be inspired?

TOWEL WARMERS AND DESIGN RADIATORS

- 1  ULOW-E2
Profile panel radiators
Plan panel radiators
Vertical radiators
- 2  General information
Preformed plate system
Stapler system
Special systems
- 3 

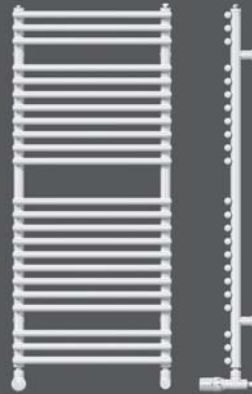
heatingthrough**innovation.**



DION in RAL 9016



DION in Chrome



DION Towel Warmer

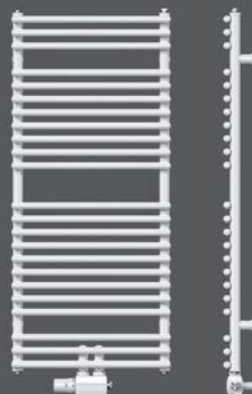
DION RAL 9016 / Chrome 174



DION-VM in RAL 9016



DION-VM in Chrome



DION-VM Towel Warmer

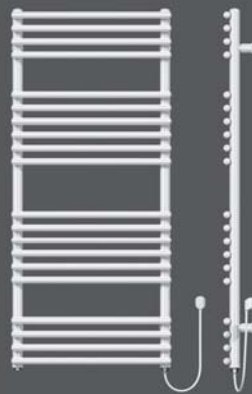
DION-VM RAL 9016 / Chrome 175



DELLA Electric in RAL 9016



DELLA Electric in Chrome



DELLA Electric Towel Warmer

DELLA Electric RAL 9016 / Chrome 176

1

ULOW-E2

Profile panel radiators

Plan panel radiators

Vertical radiators

2

General information

Preformed plate system

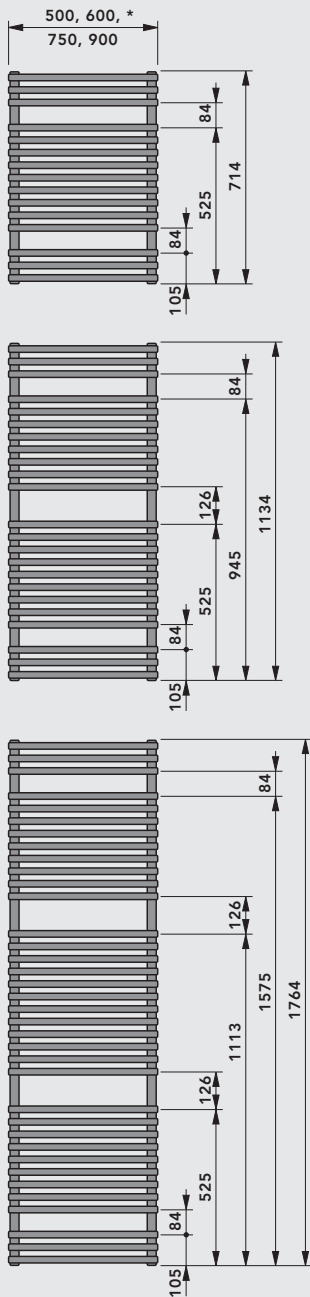
Stapler system

Special systems

3

Towel warmers

Dimensions [mm]



* in chrome finish: overall length 500 and 600 mm

DION RAL 9016

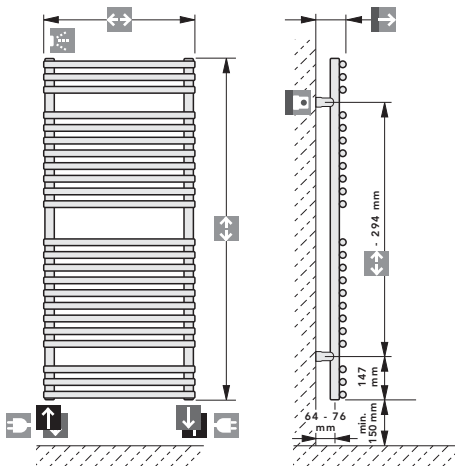
Nominal height (Overall height) [mm]	Overall length [mm]	Nominal power ⁽¹⁾ Watts					Radiator exponent n	E-heat element Output ⁽²⁾ Watts	Weight kg	Water content l
		75/65/20 °C	70/55/20 °C	70/55/24 °C	55/45/20 °C	55/45/24 °C				
700 (714)	500	374	304	265	196	161	1,270	300	2,8	6,8
	600	437	353	306	223	183	1,314	300	3,2	7,8
	750	529	428	372	272	223	1,302	300	3,9	9,2
	900	617	500	435	319	262	1,291	300	4,6	10,6
1100 (1134)	500	568	458	397	289	236	1,322	300	4,5	10,4
	600	663	536	464	339	277	1,314	300	5,3	11,8
	750	802	649	564	412	338	1,302	600	6,4	13,9
	900	937	760	661	485	398	1,291	600	7,5	16,0
1800 (1764)	500	886	712	616	447	364	1,341	600	7,5	15,8
	600	1035	833	721	523	427	1,336	600	8,5	18,2
	750	1252	1009	874	635	519	1,328	900	9,9	21,7
	900	1462	1180	1022	745	609	1,321	900	11,3	25,2

⁽¹⁾ Tested in accordance with ÖNORM EN 442 ⁽²⁾ at 60° C

DION chrome

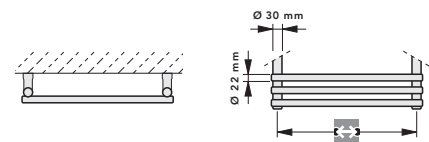
Nominal height (Overall height) [mm]	Overall length [mm]	Nominal power ⁽¹⁾ Watts					Radiator exponent n	E-heat element Output ⁽²⁾ Watts	Weight kg	Water content l
		75/65/20 °C	70/55/20 °C	70/55/24 °C	55/45/20 °C	55/45/24 °C				
1100 (1134)	500	388	315	274	202	166	1,279	300	4,5	10,4
	600	452	368	321	237	195	1,264	300	5,3	11,8
1800 (1764)	500	603	489	425	311	255	1,295	300	7,5	15,8
	600	701	570	497	366	302	1,271	600	8,5	18,2

⁽¹⁾ Tested in accordance with ÖNORM EN 442 ⁽²⁾ at 60° C



Overall depth (incl. wall clearance)
97 - 109 mm

Boss spacing
overall length - 40 mm



Connections
4 x internal thread G 1/2 and Connection options In line with drawing

Test overpressure
13 bar

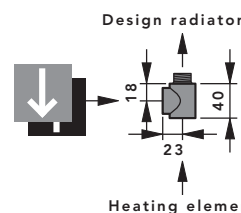
Max. operating overpressure
10 bar max.

Maximum operating temperature
110 °C

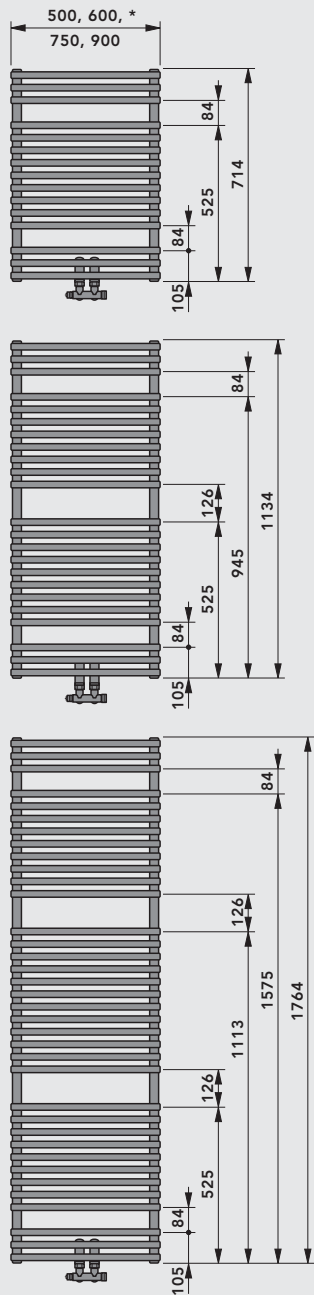
Accessories: PTC electric heating element
All DION towel warmers fitted with an electric heating element can also be used when the regular heating system is switched off. It is **essential** to take into account the power ratings assigned to the electric heating elements.

- Free accessories**
- A pivotable vent plug, G 1/2, nickel-plated brass, self-sealing
 - A dummy plug, G 1/2 nickel-plated brass
 - A wall mounting set
 - A fitting aid
 - An instruction sheet

Special connector
(chrome-plated) is to be used when using the DION towel warmer in electric heating mode!



Dimensions [mm]



* in chrome finish: overall length 500 and 600 mm



Connections

2 x external thread G 3/4 (valve connection set) and 4 x internal thread 1/2
Connection options
In line with drawing



Test overpressure

13 bar



Max. operating overpressure

10 bar



Maximum operating temperature

110 °C

DION-VM RAL 9016

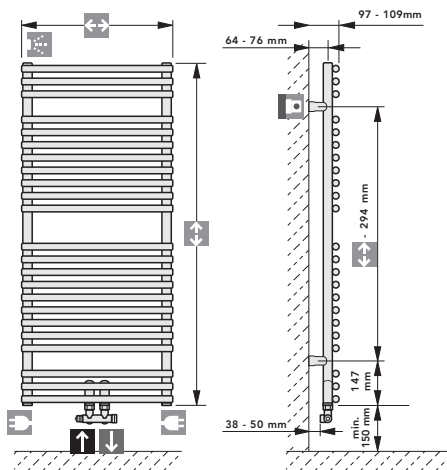
Nominal height (Overall height) [mm]	Overall length [mm]	Nominal power ⁽¹⁾ Watts					Radiator exponent n	E-heat element Output ⁽²⁾ Watts	Weight kg	Water content l
		75/65/20 °C	70/55/20 °C	70/55/24 °C	55/45/20 °C	55/45/24 °C				
700 (714)	500	374	304	265	196	161	1,270	300	2,8	6,8
	600	437	353	306	223	183	1,314	300	3,2	7,8
	750	529	428	372	272	223	1,302	300	3,9	9,2
	900	617	500	435	319	262	1,291	300	4,6	10,6
1100 (1134)	500	568	458	397	289	236	1,322	300	4,5	10,4
	600	663	536	464	339	277	1,314	300	5,3	11,8
	750	802	649	564	412	338	1,302	600	6,4	13,9
	900	937	760	661	485	398	1,291	600	7,5	16,0
1800 (1764)	500	886	712	616	447	364	1,341	600	7,5	15,8
	600	1035	833	721	523	427	1,336	600	8,5	18,2
	750	1252	1009	874	635	519	1,328	900	9,9	21,7
	900	1462	1180	1022	745	609	1,321	900	11,3	25,2

⁽¹⁾ Tested in accordance with ÖNORM EN 442 ⁽²⁾ at 60 °C

DION-VM chrome

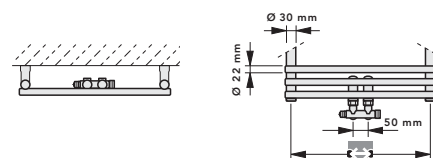
Nominal height (Overall height) [mm]	Overall length [mm]	Nominal power ⁽¹⁾ Watts					Radiator exponent n	E-heat element Output ⁽²⁾ Watts	Weight kg	Water content l
		75/65/20 °C	70/55/20 °C	70/55/24 °C	55/45/20 °C	55/45/24 °C				
1100 (1134)	500	388	315	274	202	166	1,279	300	4,5	10,4
	600	452	368	321	237	195	1,264	300	5,3	11,8
1800 (1764)	500	603	489	425	311	255	1,295	300	7,5	15,8
	600	701	570	497	366	302	1,271	600	8,5	18,2

⁽¹⁾ Tested in accordance with ÖNORM EN 442 ⁽²⁾ at 60 °C



Overall depth (incl. wall clearance)
97 - 109 mm

Boss spacing
overall length - 40 mm



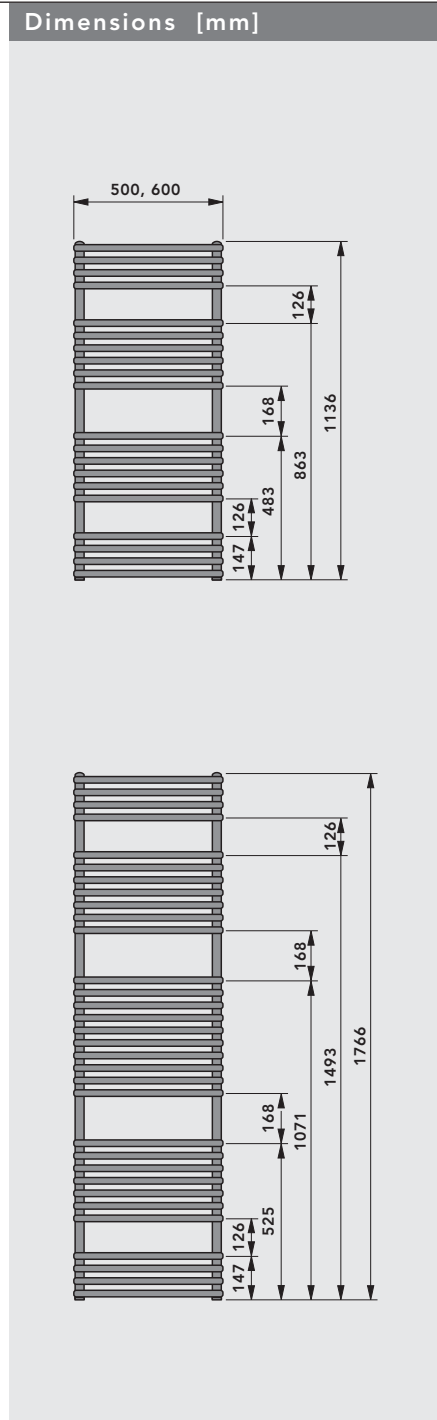
Accessories: PTC electric heating element

All DION-VM towel warmers fitted with an electric heating element can also be used when the regular heating system is switched off. It is **essential** to take into account the power ratings assigned to the electric heating elements.



Free accessories

- A pivotable vent plug, G 1/2, nickel-plated brass, self-sealing
- Three dummy plugs in the design with valves
- A wall mounting set
- A fitting aid
- An instruction sheet



DION
DION-VM

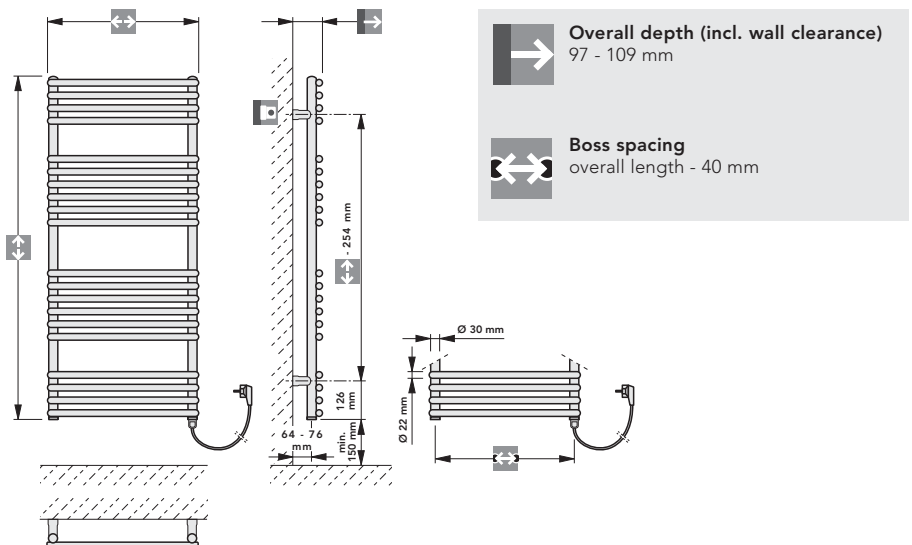


DELLA electric RAL 9016

 Nominal height (Overall height) [mm]	 Overall length [mm]	Nominal power Watts at 60°C	Nominal voltage [V]	Protection mode	Weight kg
1100 (1136)	500	400	AC 230	IP 24	13,3
	600	400	AC 230	IP 24	15,3
1800 (1766)	500	600	AC 230	IP 24	21,0
	600	600	AC 230	IP 24	24,0

DELLA electric chrome

 Nominal height (Overall height) [mm]	 Overall length [mm]	Nominal power Watts at 60°C	Nominal voltage [V]	Protection mode	Weight kg
1100 (1136)	500	300	AC 230	IP 24	13,3
	600	400	AC 230	IP 24	15,3
1800 (1766)	500	400	AC 230	IP 24	21,0
	600	600	AC 230	IP 24	24,0



Description

With their built-in electric heating, the electric radiators of the DELLA Elektro family provide an elegant addition to any bathroom.

Self-regulation effect - The temperature-dependent PTC heating element controls the temperature of the heat-transfer liquid independently by modifying its electrical resistance. This cannot be adjusted manually.

Free accessories:

- A wall mounting set matching the radiator colour
- A fitting aid
- An instruction sheet



PTC electric heating elements



Electric heating element	EH 300 * EHS 300 **	EH 600 * EHS 600 **	EH 900 * EHS 900 **
Nominal voltage	AC 230 Volt	AC 230 Volt	AC 230 Volt
Nominal input EH	300 Watts at 60 °C	600 Watts at 60°C	900 Watts at 60 °C
Depth of immersion EH	245 mm	450 mm	620 mm
Diameter D EH	11 mm	11 mm	11 mm
Cable length EH	1500 mm	1500 mm	1500 mm
Item no. with safety plug *	AZ1EH030A0001000	AZ1EH062A0001000	AZ1EH092A0001000
with safety plug and switch **	AZ1EH030B0001000	AZ1EH062B0001000	AZ1EH092B0001000
Designs: * with safety plug ** with safety plug and switch	Protection mode IP 64 IP 40		



All DION and DION-VM towel warmers fitted with an electric heating element can also be used when the regular heating system is switched off. It is essential to take into account the power ratings assigned to the electric heating elements.

Digital room thermostat



Digital room thermostat with infrared transfer incl. PTC electric heating element, for the purpose of regulating the temperature of the towel warmer. The infrared transmitter features an easy-to-understand LCD display that shows the room temperature, target temperature, operating mode and BOOST symbol at the same time.

The BOOST function allows you to activate operation for a continuous period of time (without thermostat function) from 5 minutes up to 5 hours. Three pre-defined modifiable programmes enable you to select one or two BOOST cycles per day.






The infrared control set is especially suitable for installation at a subsequent date, as a safety plug can be exchanged for a receiver at a later date.

	Infrared control set		
	EH 300 Set	EH 600 Set	EH 900 Set
	PTC-electric heating element		
Nominal voltage	AC 230 Volt	AC 230 Volt	AC 230 Volt
Nominal input EH	300 Watts at 60 °C	600 Watts at 60°C	900 Watts at 60 °C
Depth of immersion EH	245 mm	450 mm	620 mm
Diameter D EH	11 mm	11 mm	11 mm
Cable length EH	1500 mm	1500 mm	1500 mm
	Digital room thermostat transmitter		
Setting range for room temperatures	Between + 5 °C and + 30 °C		
Setting range for BOOST cycle duration	Between 5 minutes and 5 hours		
Display area for room temperatures	from + 0 °C to + 40 °C		
Static deviation	< 0,3 K		
Power supply	2 alkaline cells, LR03 model		
Range	Approx. 10 metres (all directions) Approx. 15 metres (in an unobstructed straight line)		
Interval of Infrared transmissions	Every 10 minutes		
Operational temperature	Between -10 °C and +50 °C		
Storage temperature	Between -20 °C and +60 °C		
Air humidity	Maximum of 90 %, at +25 °C		
Protection mode	IP 31		
Dimensions	120 x 80 x 35 mm (height x length x depth)		
	Digital room thermostat receiver		
Supply voltage	230 VAC +/- 10%		
Mains frequency	50 Hz		
Input power	< 5 VA		
Output	1 N/O contact (not potential free)		
Switching capacity	Ohm resistive load: max. 10A/2000W		
Operational temperature	Between -10 °C and +40 °C		
Storage temperature	Between -20 °C and +60 °C		
Air humidity	Maximum of 90 %, at +20 °C		
Protection mode	IP 24		
Dimensions	117 x 81 x 30 mm (height x length x depth)		
Digital room thermostat, transmitter and receiver AND electrical heating element			
Item no.	AZ1CT030I0001000	AZ1CT060I0001000	AZ1CT090I0001000
Digital room thermostat, transmitter and receiver WITHOUT electrical heating element			
Item no.	AZ1CT000I0001000		

Accessories

178 Towel warmers

Accessories

Accessoires									
 Clothes rail	Accessoir Overall length [mm]	Item no.	DION / DION-VM Overall length [mm]				DELLA Elektro Overall length [mm]		
			500	600	750	900	500	600	
			CLOTHES RAIL chrome-plated (incl. two fastening kits)						
 Bath towel rail	492	AZ1CR049C200100SCHRO	•	•	•	•	•	•	
	596	AZ1CR060C200100SCHRO		•	•	•		•	
	804	AZ1CR080C200100SCHRO				•			
			BATH TOWEL RAIL chrome-plated (incl. two fastening kits)						
 Glass shelf	500	AZ1BT050C200100SCHRO	•	•	•	•	•	•	
	600	AZ1BT065C200100SCHRO		•	•	•		•	
			GLASS SHELF (incl. two fastening kits)						
 Hand towel ring	300	AZ1GS030C200100SCHRO	•	•	•	•	•	•	
	500	AZ1GS050C200100SCHRO	•	•	•	•	•	•	
	650	AZ1GS065C200100SCHRO			•	•			
			HAND TOWEL RING chrome-plated (incl. fastening kit)						
 Hand towel rail		AZ1HT000C200100SCHRO	•	•	•	•	•	•	
			HAND TOWEL RAIL chrome-plated (incl. fastening kit)						
		AZ1TR000C200100SCHRO	•	•	•	•	•	•	

Guarantee statements are available to download at www.vogelundnoot.com/download