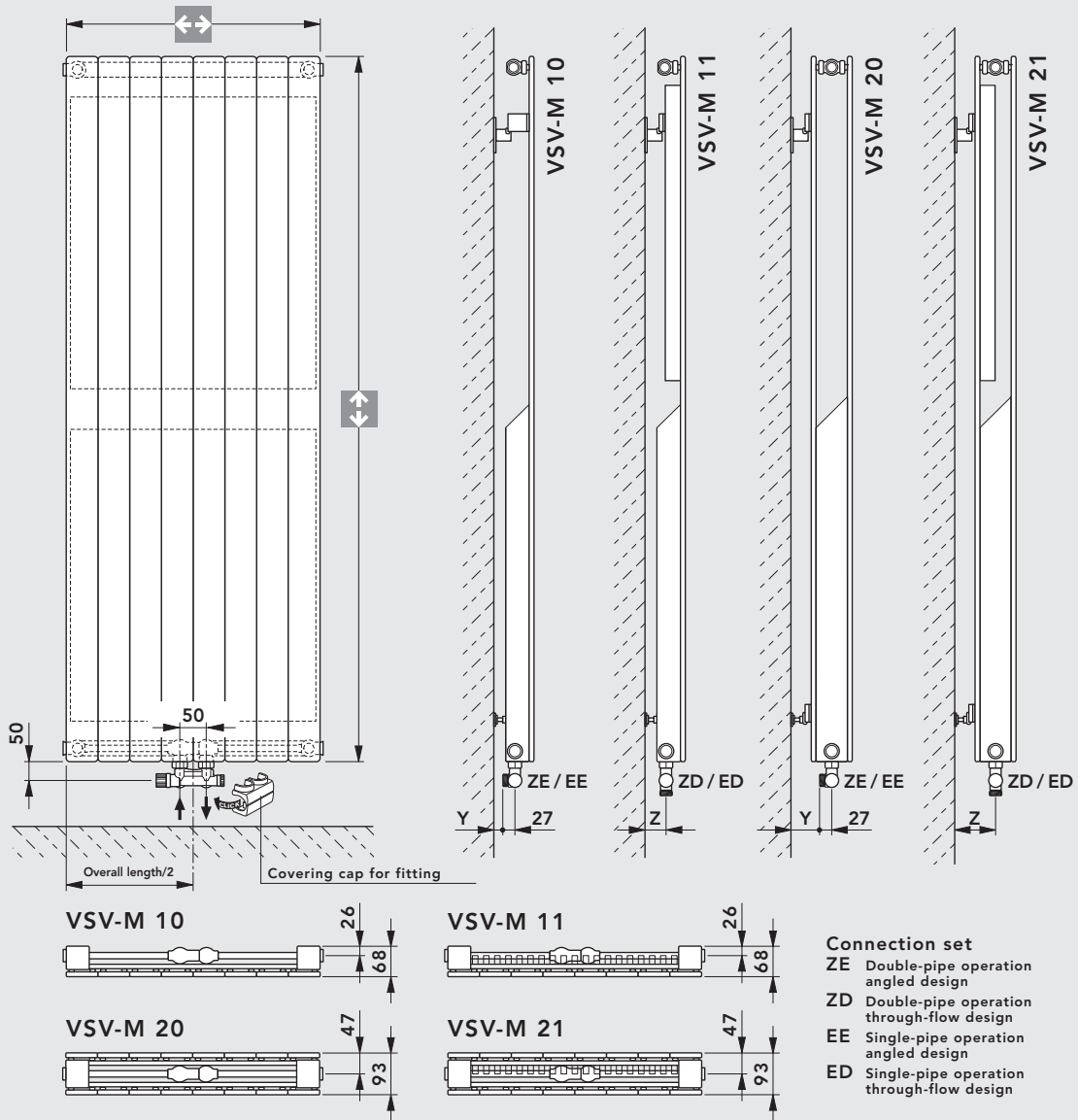


Model overview / connection dimensions: vertical design, VSV-M models



Connection set
 ZE Double-pipe operation angled design
 ZD Double-pipe operation through-flow design
 EE Single-pipe operation angled design
 ED Single-pipe operation through-flow design

Angled design connection set

Connection set in through-flow design

Fastening set	Model	Measurement Y [mm]	Fastening set	Model	Measurement Z [mm]
*	VSV-M 10	*	WA 10	VSV-M 10/11	35
WA 10	VSV-M 20/21	53	WA 10	VSV-M 20/21	79,5
*	VSV-M 11	*	WA 11	VSV-M 10/11	45
WA 11	VSV-M 20/21	63	WA 11	VSV-M 20/21	89,5

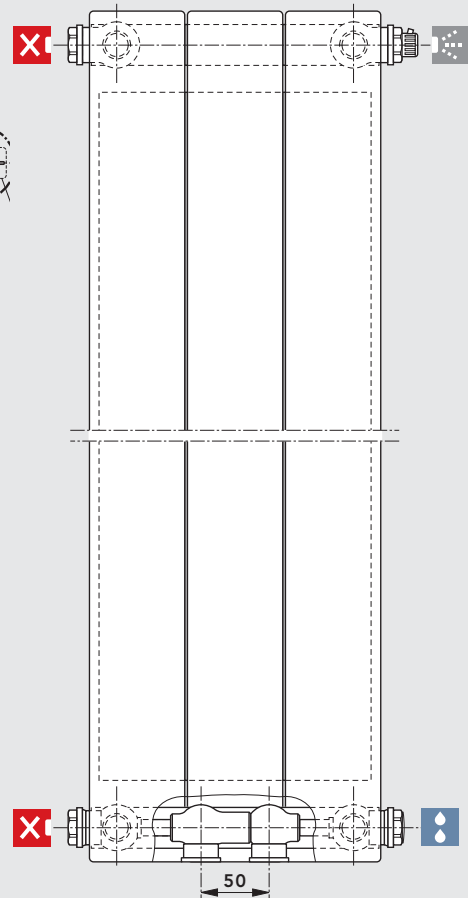
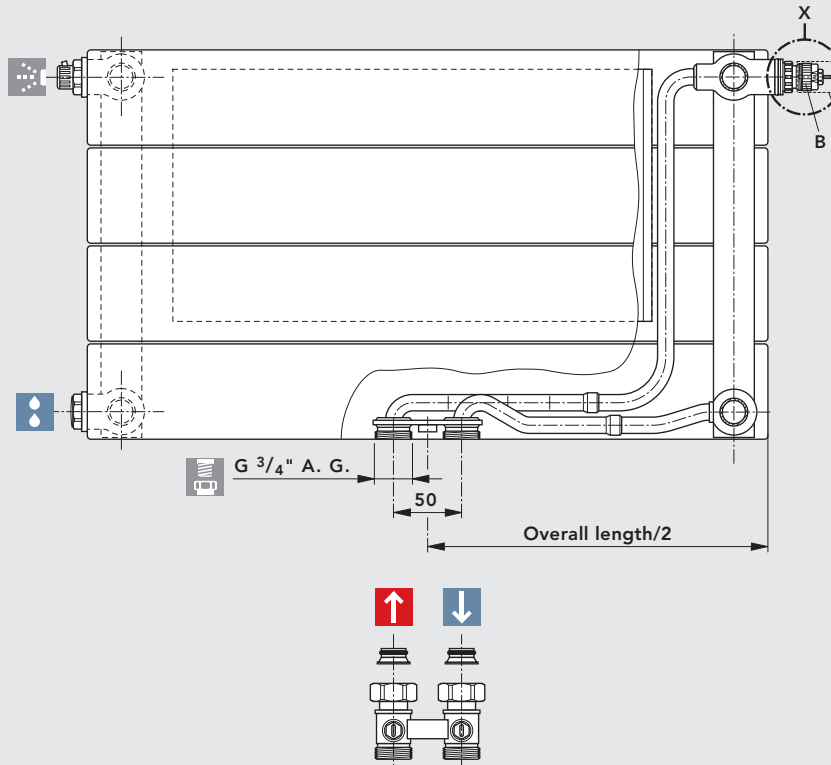
Schematic diagram

* **Note:** when installing the VSV-M 10 and VSV-M 11 models with an angled connection set (ZE, EE), please use the appropriate drill consoles and angled fishplates to ensure that the required distance from the wall is maintained.

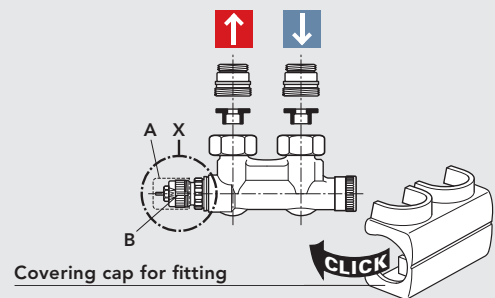
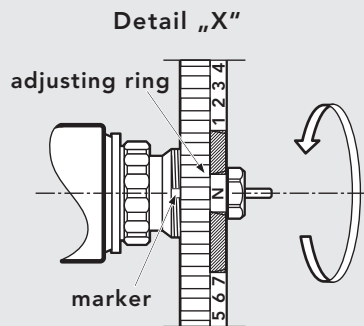
Model	VSV-M 10			VSV-M 11			VSV-M 20			VSV-M 21		
Overall height ↑↓ [mm]	1600	1800	2000	1600	1800	2000	1600	1800	2000	1600	1800	2000
Overall length ←→ [mm]	214 - 862 mm											
Increments	72 mm											

Horizontal and vertical designs

It is easy to set the precise values required **without** using any special tools (see drawings).



Note:
Settings in the hatched area must be avoided.



Schematic diagram

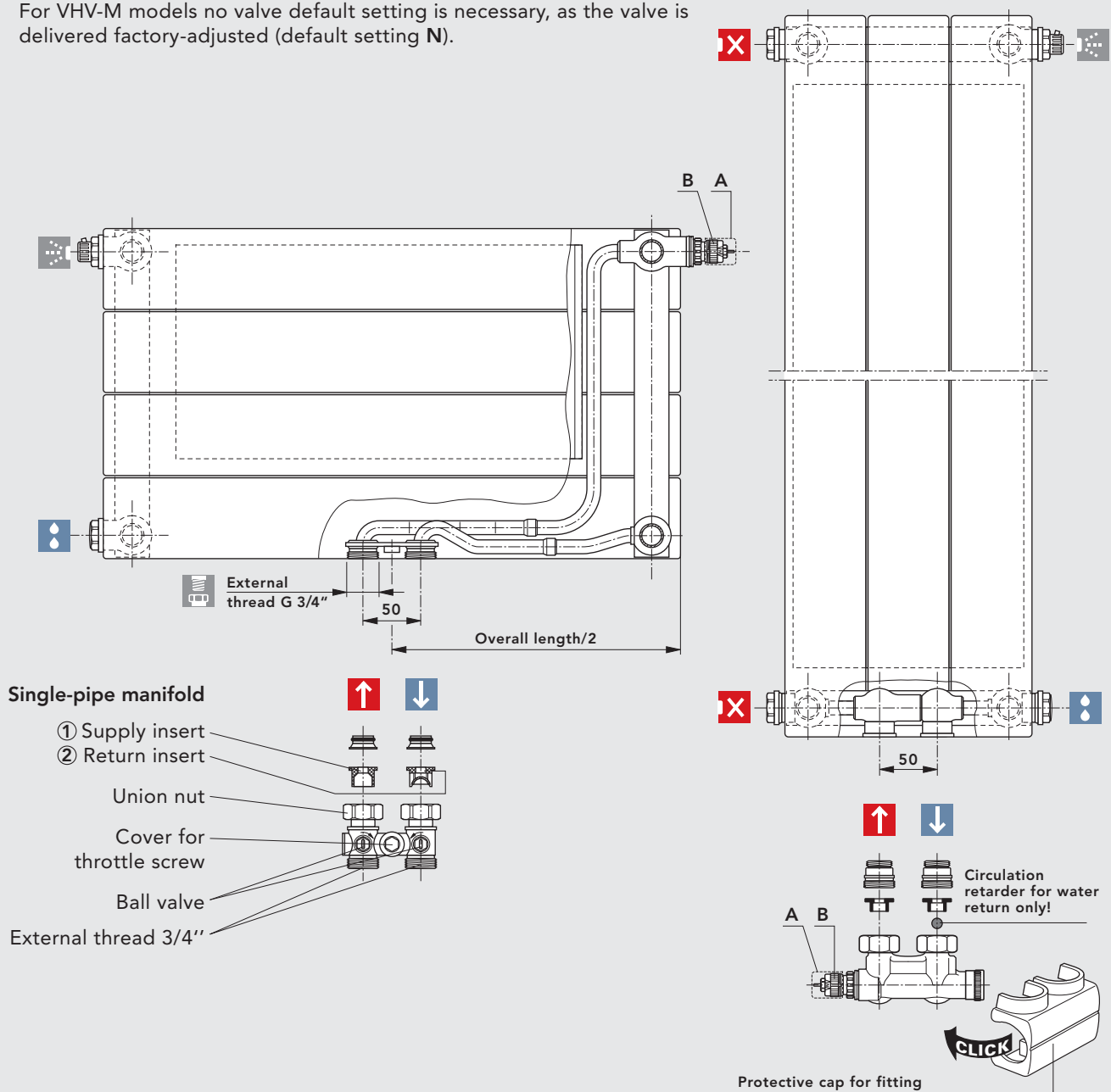
The radiator will be delivered with a fitted protective cap. After removing the protective cap (item A), the following thermostat heads can be installed directly onto the built-in valve (item B): „RA 2000“, or „RAW“ from Danfoss, „VK“ from Heimeier, „D“ from Herz, „thera DA“ from MNG, and „UNI XD“ from Oventrop.

Adjustment tips:

- Remove protective cap and sensor
- Lift the adjusting ring and turn it anti-clockwise, to the setting required – the set value (1, 2, ...7, N) needs to be directly in line with the marker.
- Presetting is possible in steps of 0.5 between 1 and 7. The „N“ setting, cancels all presetting.

Horizontal and vertical design

For VHV-M models no valve default setting is necessary, as the valve is delivered factory-adjusted (default setting **N**).



Schematic diagram

The radiator valve (VHV-M models) and the connection set (VSV-M models) will both be delivered with a fitted protective cap. After removing the protective cap (item A), the following thermostat heads can be installed directly onto the built-in valve (item B): „RA 2000“, or „RAW“ from Danfoss, „VK“ from Heimeier, „D“ from Herz, „thera DA“ from MNG, and „UNI XD“ from Oventrop.

Please note!

Horizontal design:

During the installation of the single-pipe manifold ensure that the return insert ② is installed in the water return, and the supply insert ① in the water supply.

Vertical design:

When fitting the single-pipe operation connection set, ensure that the **circulation retarder** is installed in the water return.

VSV-M models

Overall length

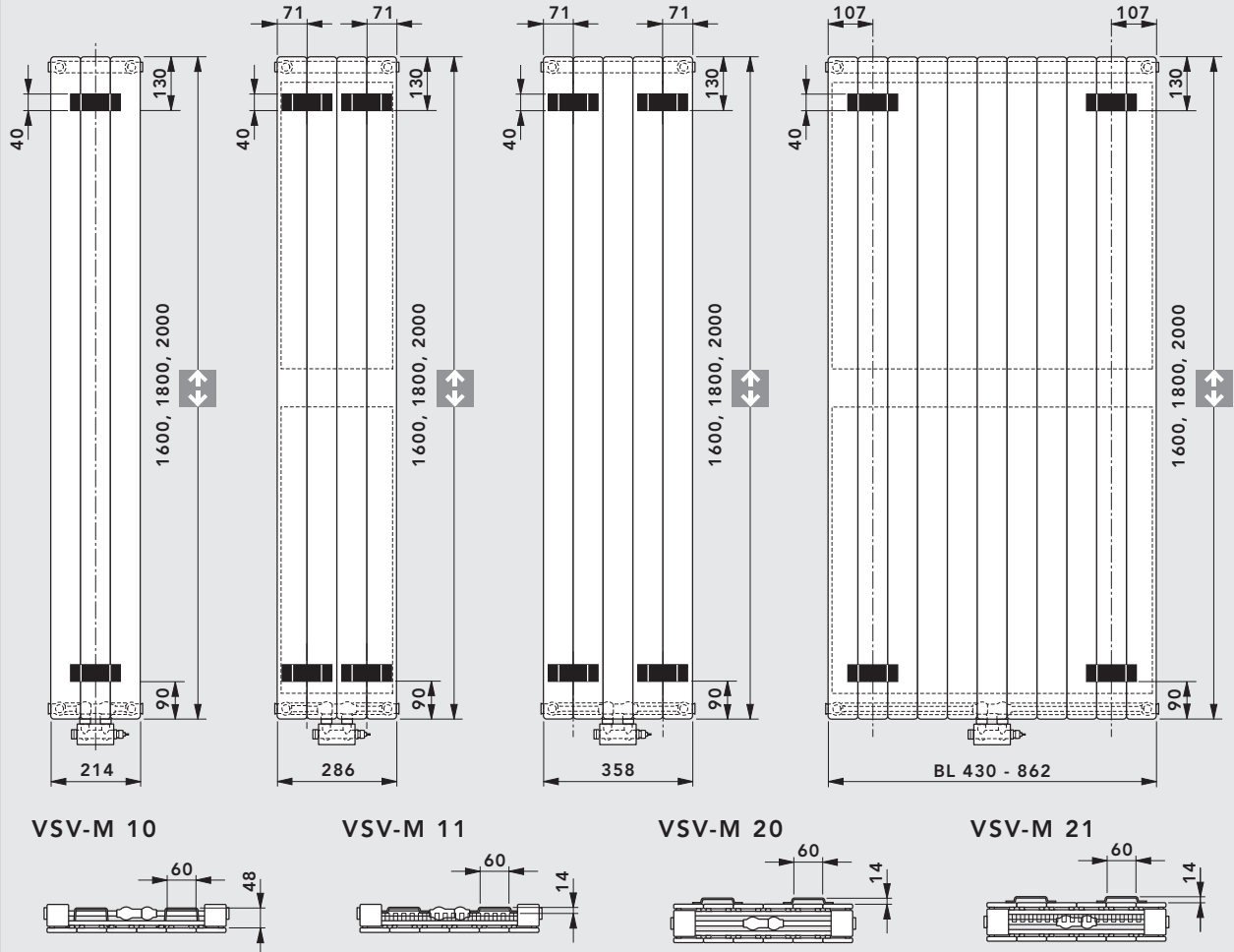
 [mm]

214

286

358

430 - 862



Schematic diagram

Wall clearance measurements: WA 10 and WA 11 wall mounting brackets for the VSV-M models

Connection - wall clearance

Wall mounting brackets model	Vertical design model	Value W [mm]
WA 10	VSV-M 10/11*	35
WA 10	VSV-M 20/21	79,5
WA 11	VSV-M 10/11*	45
WA 11	VSV-M 20/21	89,5

***Note!** if you are using WA 10 or WA 11 wall mounting brackets for the installation of the VSV-M 10 or VSV-M 11 model with a right-angled-design connection, please follow the instructions in the diagram on page 44.

Schematic diagram