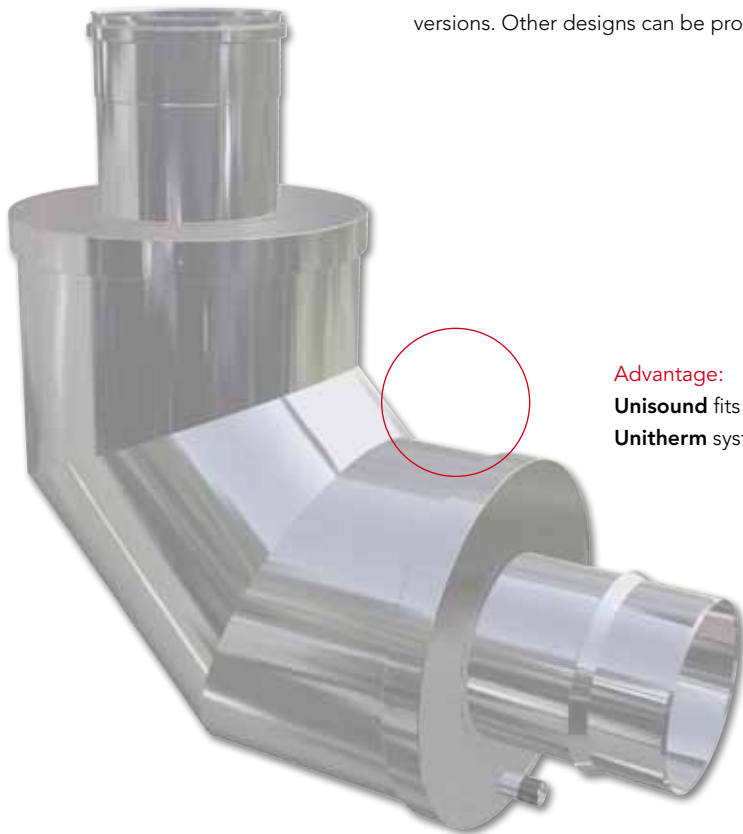


UNISOUND.



Unisound flue gas silencers are constructed using cylindrical modules made of stainless steel and fit **Unitec** and **Unitherm** flue gas systems, regardless of whether they are operated using negative or positive pressure, oil or gas. **Unisound** is available as an angled sound attenuator or in the "**Unisound 10**" (10 dB) or "**Unisound 20**" (20 dB) versions. Other designs can be provided upon request.



Advantage:

Unisound fits all **Unitec** and **Unitherm** systems.