

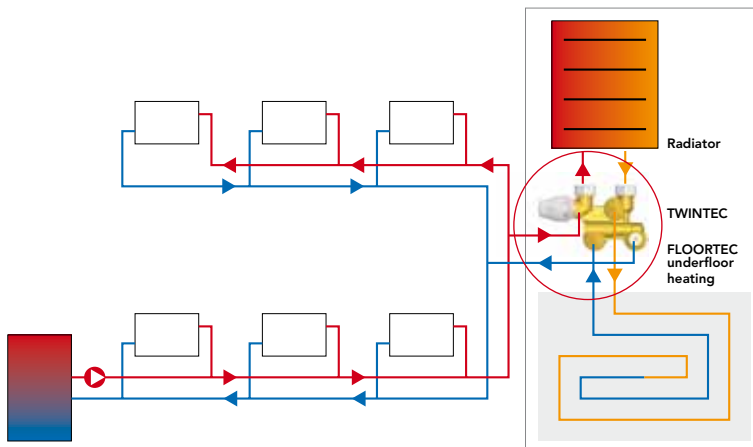


TWINTEC
CONNECTION FITTING.

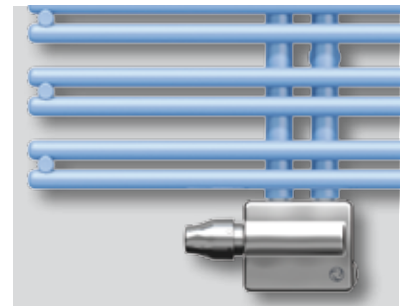
TWINTEC connects the radiator with the underfloor heating (max. 10m²!) and provides efficient control quality with a high degree of comfort. A unique thermostat head provides conflict-free control and allows the user to manage the heating system conveniently and easily. Thanks to the serial connection, the underfloor heating is supplied with a suitable temperature in accordance with the radiator. A built-in return temperature limit provides additional protection at 45°C! It guarantees the flow through the (designer) radiators, even when the return temperature limiter is activated.

Advantage:

TWINTEC is suitable for both new builds and renovations, and can be combined with a large number of radiators.



TWINTEC in combination with panel radiators



TWINTEC in combination with bathroom and designer radiators



TWINTEC in combination with convectors and heating panels