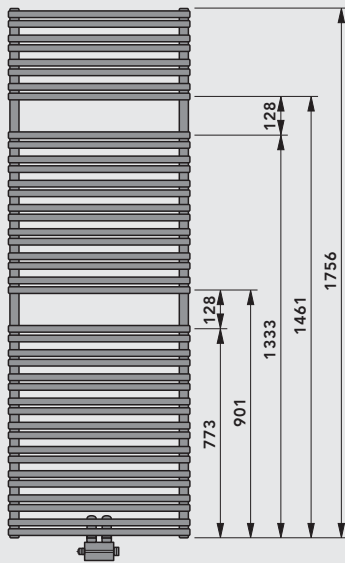
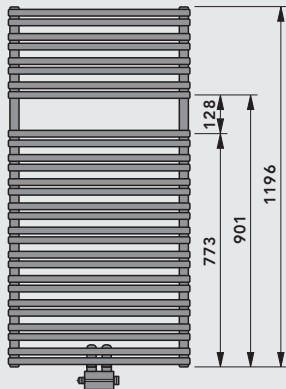
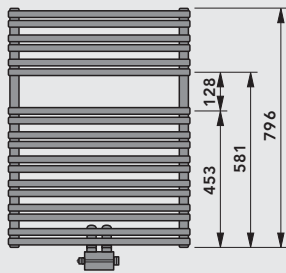


Vertical dimensions [mm]

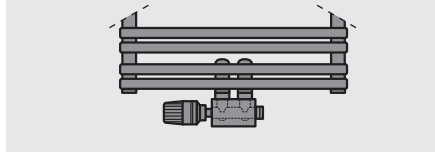


Technical data, product family

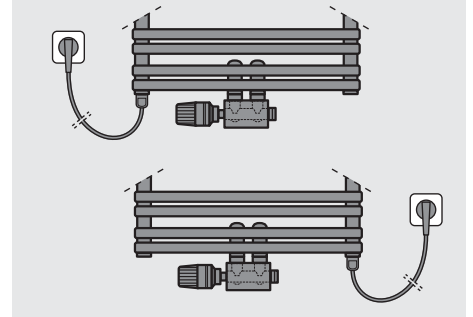
Nominal height (overall height)	Diagram scale M 1:50				Overall length [mm]	Heat output ⁽¹⁾ in Watts 75/65/20 °C	Radiator exponent n	E-heating element power ⁽²⁾ [Watts]
	500	600	750	900				
800 (796)					500	413	1,191	300
					600	487	1,191	300
					750	596	1,191	300
					900	704	1,191	300
1200 (1196)					500	647	1,213	300
					600	751	1,213	600
					750	901	1,213	600
					900	1046	1,213	600
1800 (1756)					500	878	1,248	600
					600	1036	1,248	600
					750	1269	1,248	900
					900	1497	1,248	900

⁽¹⁾ Tested in accordance with ÖNORM EN 442

Connection example without electric heating element



Connection example with electric heating element



Connections

2 x external thread G 3/4
(for valve connection set)
2 x internal thread G 1/2, and
1 x internal thread G 1/4 (for vent plug)
Connection modes see diagram



Test overpressure
13 bar



Maximum positive operating pressure
10 bar



Maximum operating temperature
110 °C

Accessory: PTC electric heating element

BAWA-VM radiators fitted with an electric heating element can also be used at times when the regular heating system is switched off. It is **absolutely necessary** to take account of the power-ratings assigned to the electric heating elements.

Basic standard accessories (included):

- a pivotable vent plug, G 1/4, and two dummy plugs, G 1/2, nickel-plated brass self-sealing, factory-sealed
- valve connection set in an angled two-pipe design
- covering rosette in matching radiator colour
- a wall mounting set matching the radiator colour
- fitting aid
- instruction sheet

RAL 9016 Traffic White	Various RAL and metallic colours	Sanitary ware colours
Item no.	Item no.	Item no.
DBEAB0805A	DBEAF0805A	DBEAS0805A
DBEAB0806A	DBEAF0806A	DBEAS0806A
DBEAB0807A	DBEAF0807A	DBEAS0807A
DBEAB0809A	DBEAF0809A	DBEAS0809A
DBEAB1205A	DBEAF1205A	DBEAS1205A
DBEAB1206A	DBEAF1206A	DBEAS1206A
DBEAB1207A	DBEAF1207A	DBEAS1207A
DBEAB1209A	DBEAF1209A	DBEAS1209A
DBEAB1805A	DBEAF1805A	DBEAS1805A
DBEAB1806A	DBEAF1806A	DBEAS1806A
DBEAB1807A	DBEAF1807A	DBEAS1807A
DBEAB1809A	DBEAF1809A	DBEAS1809A

⁽²⁾ At 60 °C

