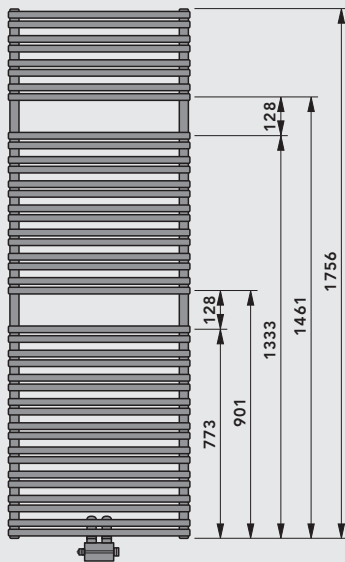
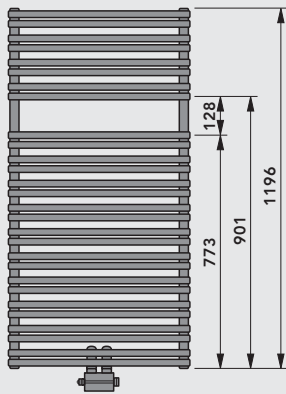


Vertical dimensions [mm]

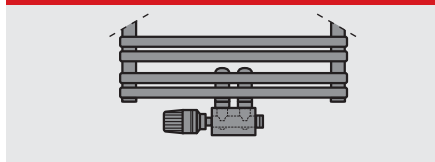


Technical data, product family

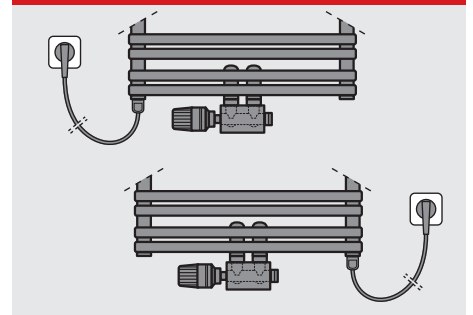
Nominal height (overall height)	Diagram scale M 1:50				Overall length [mm]	Heat output ⁽¹⁾ in Watts 75/65/20 °C	Radiator exponent n	E-heating element power ⁽²⁾ [Watts]
	500	600	750	900				
1200 (1194)					500	885	1,265	600
					600	1061	1,251	600
					750	1326	1,229	600
					900	1590	1,208	900
1800 (1754)					500	1222	1,274	600
					600	1466	1,258	900
					750	1831	1,233	900
					900	2196	1,209	900

⁽¹⁾ Tested in accordance with ÖNORM EN 442

Connection example without electric heating element



Connection example with electric heating element



Connections
2 x external thread G 3/4
(for valve connection set)
and 4 x internal thread G 1/2
Connection modes
see diagram



Test overpressure
13 bar



Maximum positive operating pressure
10 bar



Maximum operating temperature
110 °C

Accessory: PTC electric heating element

BAWA-T VM radiators fitted with an electric heating element can also be used at times when the regular heating system is switched off.

It is **absolutely necessary** to take account of the power-ratings assigned to the electric heating elements.

Basic standard accessories (included):

- a pivotable vent plug, G 1/2, and three dummy plugs, G 1/2, nickel-plated brass self-sealing, factory-sealed
- valve connection set in an angled two-pipe design
- covering rosette in matching radiator colour
- a wall mounting set matching the radiator colour
- fitting aid
- instruction sheet

RAL 9016 Traffic White	Various RAL and metallic colours	Sanitary ware colours
Item no.	Item no.	Item no.
DBTAB1205A	DBTAF1205A	DBTAS1205A
DBTAB1206A	DBTAF1206A	DBTAS1206A
DBTAB1207A	DBTAF1207A	DBTAS1207A
DBTAB1209A	DBTAF1209A	DBTAS1209A
DBTAB1805A	DBTAF1805A	DBTAS1805A
DBTAB1806A	DBTAF1806A	DBTAS1806A
DBTAB1807A	DBTAF1807A	DBTAS1807A
DBTAB1809A	DBTAF1809A	DBTAS1809A

⁽²⁾ At 60 °C

Universal & Modern

