



T6 CENTRE-CONNECTION RADIATORS.



Marc Gerritsen/arcaid

- Unique T6 centre-connection technology
- Optimum flexibility during planning and installation
- Energy-efficient emission of heat for low heating costs
- Integrated valve technology with pre-setting



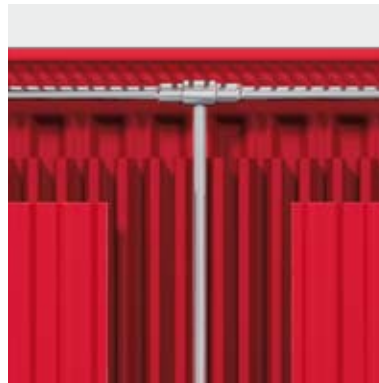
The benefit to you:

The revolutionary T6 centre-connection technology sets new standards.

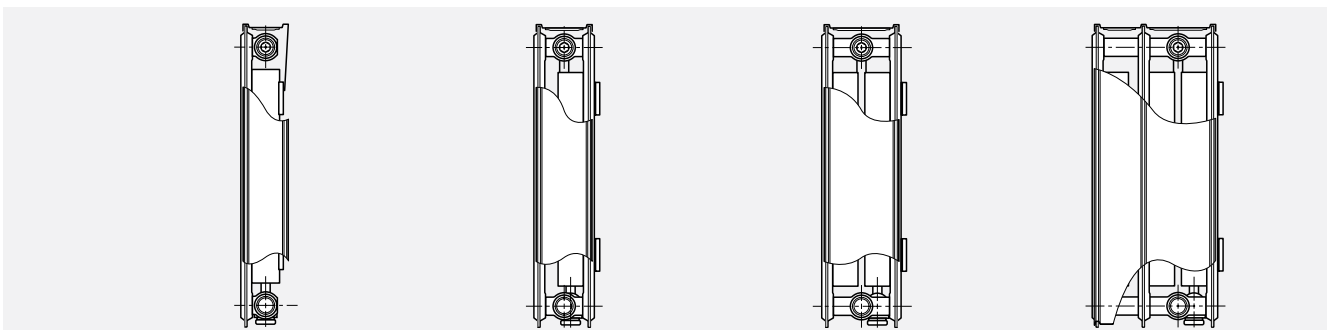




T6 centre-connection radiators are perfectly symmetrical. They are the ideal combination of design and unique technology. Thanks to the patented technology and the special geometry of the convector plates, the T6 provides extremely high heating power. Consequently, it is able to heat up rooms particularly rapidly and guarantees the optimum level of thermal comfort.



The T6 technology is based on the radiator's axis of symmetry, thereby creating limitless flexibility.



Type	11 VM					21 VM-S					22 VM					33 VM				
	1-layer with 1 convector plate					2-layer with 1 convector plate					2-layer with 2 convector plates					3-layer with 3 convector plates				
↑ ↓	300	400	500	600	900	300	400	500	600	900	300	400	500	600	900	300	400	500	600	900
↔	up to 2400		up to 2600		up to 2000	up to 2400		up to 3000		up to 2000	up to 3000		up to 2000		up to 3000	up to 2200		up to 1800		
Gradation	All construction lengths from 400 mm upwards, in 200 mm gradations; also 520, 720, 920, 1120 and 1320 mm																			